

Daikin Altherma mid temperature split Technical Data

ETVH12E6V

ETVH12E9W

ETVX12E6V

ETVX12E9W



ETVH12S18EA6V
ETVH12S23EA6V
ETVH12S18EA9W
ETVH12S23EA9W
ETVX12S18EA6V
ETVX12S23EA6V
ETVX12S18EA9W
ETVX12S23EA9W

TABLE OF CONTENTS

ETVH12E6V / ETVH12E9W / ETVX12E6V / ETVX12E9W

1	Features	4
	ETVH12E9W, ETVH12E6V	4
	ETVX12E6V, ETVX12E9W	5
2	Specifications	6
3	Electrical data	14
4	Combination table	16
5	Capacity tables	17
	Domestic Hot Water performance	17
6	Dimensional drawings	18
7	Centre of gravity	19
8	Piping diagrams	20
9	Wiring diagrams	21
	Notes & Legend	21
	Control Circuit	22
	Power Supply, Back-up Heater	24
10	External connection diagrams	25
11	Installation	26
	Installation Method	26
12	Operation range	27
13	Hydraulic performance	28
	Static Pressure Drop Unit	28

1 Features

1 - 1 ETVH12E6V, ETVH12E9W

Floor standing air to water heat pump for heating, cooling and hot water

1

- › A combined stainless steel domestic hot water tank of 180 or 230L and heat pump for easy installation
- › Inclusion of all hydraulic components means no third party components are required
- › The unit's sleek design blends in with other household appliances.
- › Energy efficient heating only system based on air to water heat pump technology
- › Quick configuration in 9 steps in a high resolution colour interface wizard



Daikin
Residential
Controller
(optional)

1 Features

1 - 2 ETVX12E6V, ETVX12E9W

Floor standing air to water heat pump for heating, cooling and hot water

- › A combined stainless steel domestic hot water tank of 180 or 230L and heat pump for easy installation
- › Inclusion of all hydraulic components means no third party components are required
- › The unit's sleek design blends in with other household appliances.
- › For hot water, heating and cooling
- › Quick configuration in 9 steps in a high resolution colour interface wizard

1



Daikin
Residential
Controller
(optional)

2 Specifications

Technical specifications					ETVH12S18E6V		ETVH12S23E6V		
Heater capacity	Step 1		kW				2		
	Step 2		kW				2 or 4		
Power input	Nom.		kW				0.10		
Casing	Material						Precoated sheet metal		
Dimensions	Unit	Height	mm	1,650			1,850		
		Width	mm				595		
		Depth	mm				625		
	Packed unit	Height	mm	1,820			2,020		
		Width	mm				720		
		Depth	mm				740		
Weight	Unit		kg	108			117		
	Packed unit		kg	127			136		
Packing	Material						Wood / Carton / PE wrapping foil / Metal		
	Weight		kg				16		
Pump	Nr of speeds						PWM		
	Power input		W				75		
	Type						Grundfos UPM3LK 15-75 130 PWM		
Water side Heat exchanger	Water flow rate	Min.	l/min				20.0 (1)		
Expansion vessel	Volume		l				10		
	Max. water pressure		bar				3		
	Pre pressure		bar				1		
Tank	Name			Stainless steel domestic hot water tank 180 l		Stainless steel domestic hot water tank 230 L			
	Water volume		l	180		230			
	Material			Stainless steel (EN 1.4521)					
	Maximum water temperature		°C	70.0					
	Maximum water pressure		bar	10					
	Insulation	Material			Polyurethane foam				
		Heat loss		kWh/24h	1.2 (2)		1.4 (2)		
	Corrosion protection			Pickling					
	Energy efficiency class			B					
	General	Supplier/ Name or trademark			Daikin Europe N.V.				
Manufacturer Name and address				Daikin Europe N.V. - Zandvoordestraat 300, 8400 Oostende, Belgium					
3-way valve	Coefficient of flow (kV)	Space heating	m ³ /h			8			
		Domestic hot water tank	m ³ /h			10			
Water circuit	Piping connections diameter		inch			G 1" (female)			
	Piping material			Cu					
	Internal piping diameter		inch	1-1/4"					
Water circuit	Piping		inch	1"					
	Safety valve		bar	3					
	Manometer			Digital					
	Drain valve / fill valve			No					
	Shut off valve			Yes					
	flowswitch			Yes					
	Air purge valve			Yes					
	Total water volume		l	2.5 (3)					
	Minimum water volume in the system for cooling		l	20 (4)					
	Minimum water volume in the system for heating		l	0 (4)					
	Water circuit - Domestic hot water side	Piping material			Stainless steel				
Piping connections		Cold water in / Hot water out	inch	G 3/4" FEMALE					
		Recirculation connection	inch	G 3/4" FEMALE					
Sound power level	Nom.		dB(A)	44.0 (5)					
Sound pressure level	Nom.		dB(A)	30.0 (6)					
Operation range	Heating	Ambient	Min.	°C	0 (7)				
			Max.	°C	0 (7)				
		Water side	Min.	°C	0 (7)				
			Max.	°C	0 (7)				
	Indoor installation	Ambient	Min.	°CDB	5				
			Max.	°CDB	35 (8)				
	Cooling	Ambient	Min.	°CDB	0 (7)				
			Max.	°CDB	0 (7)				
		Water side	Min.	°C	0 (7)				
			Max.	°C	0 (7)				
		Domestic hot water side	Min.	°C	0 (7)				
			Max.	°C	0 (7)				
Safety devices	Item	01		Thermal cut out					

2 Specifications

Electrical specifications				ETVH12S18E6V	ETVH12S23E6V	
Power supply	Name			See note 10		
	Voltage range	Min.	%	10		
Max.		%	10			
IP class	IP			IP X0B		
Electric heater	Power supply	Name			6V3	
		Phase			1~ / 3~	
		Frequency			50 Hz	
		Voltage			230 V	
	Current	Maximum running current			26.0 A	
		Z _{max}	List	Ω	0.22	
		Minimum Ssc value			Equipment complying with EN/IEC 61000-3-12	
Recommended fuses			20 (9) A			
Wiring connections	Communication cable	Quantity			3+GRD	
		Remark			1.5 mm ²	
	Electric meter	Quantity			2	
		Remark			Minimum 0.75 mm ² (5VDC pulse detection)	
	Preferential kWh rate power supply	Quantity			Power: 2	
		Remark			Power 6.3A (Select diameter and type according to national and local regulations)	
	Domestic hot water pump	Quantity			2	
		Remark			Minimum 0.75 mm ² (2A inrush, 1A continuous)	
	For power supply back-up heater	Quantity			Prewired	
		Remark				
	For connection with R6T	Quantity			2	
		Remark			Minimum 0.75 mm ²	
	For connection with A3P	Quantity			Depends on thermostat type, cf. installation manual	
		Remark			Voltage: 230V / Max. current: 100mA / Min. 0.75mm ²	
For connection with M2S	Quantity			2		
	Remark			Voltage: 230V / Max. current: 100mA / Min. 0.75mm ²		
For connection with optional	Quantity			4		
	Remark			100 mA, minimum 0.75 mm ²		

(1) Operation area is extended to lower flow rates only in case the unit operates with heat pump only. (Not in startup, no BUH operation, no defrost operation). |

(2) Based on a dT of 45 K |

(3) Including piping + back-up heater; excluding expansion vessel |

(4) Excluding the water in the unit. This minimum water volume is sufficient for most applications. During critical processes extra water may be required. |

(5) Measured with a pressure drop of 10 kPa in the heating system at an operating condition of leaving water 47-55°C in a room with an ambient of 20°C. DB/WB 7°C/6°. |

(6) Value measured in an anechoic room at 1m distance from the unit. It is a relative value, depending on the distance and acoustic environment. The sound pressure level mentioned is measured with a pressure drop of 10 kPa in the heating system at an operatin |

(7) Refer to operation range of the unit. |

(8) Depends on operation mode, refer to installation manual. |

(9) 4 pole 20 A curve 400V tripping class C (refer to wiring diagram) |

(10) Above mentioned power supply of the hydrobox is for the backup heater only. The switch box and the pump of the hydrobox are supplied via the outdoor unit. The optional domestic hot water tank has a separate power supply.

Technical specifications				ETVH12S18E9W	ETVH12S23E9W
Heater capacity	Step 1			3 kW	
	Step 2			max. 6 kW	
Power input	Nom.			0.10 kW	
Casing	Material			Precoated sheet metal	
Dimensions	Unit	Height	mm	1,650	1,850
		Width	mm	595	
		Depth	mm	625	
	Packed unit	Height	mm	1,820	2,020
		Width	mm	720	
		Depth	mm	740	
Weight	Unit			108 kg	117 kg
	Packed unit			127 kg	136 kg
Packing	Material			Wood / Carton / PE wrapping foil / Metal	
	Weight			16 kg	
Pump	Nr of speeds			PWM	
	Power input			75 W	
	Type			Grundfos UPM3LK 15-75 130 PWM	
Water side Heat exchanger	Water flow rate	Min.	l/min	20.0 (1)	
Expansion vessel	Volume			10 l	
	Max. water pressure			3 bar	
	Pre pressure			1 bar	

2 Specifications

2

Technical specifications				ETVH12S18E9W	ETVH12S23E9W	
Tank	Name			Stainless steel domestic hot water tank 180 l	Stainless steel domestic hot water tank 230 L	
	Water volume	l		180	230	
	Material			Stainless steel (EN 1.4521)		
	Maximum water temperature	°C		70.0		
	Maximum water pressure	bar		10		
	Insulation	Material			Polyurethane foam	
		Heat loss	kWh/24h		1.2 (2)	1.4 (2)
	Corrosion protection			Pickling		
Energy efficiency class			B			
General	Supplier/	Name or trademark		Daikin Europe N.V.		
	Manufacturer details	Name and address		Daikin Europe N.V. - Zandvoordestraat 300, 8400 Oostende, Belgium		
3-way valve	Coefficient of	Space heating	m ³ /h	8		
		Domestic hot water tank flow (kV)	m ³ /h	10		
Water circuit	Piping connections diameter		inch	G 1" (female)		
	Piping material			Cu		
	Internal piping diameter		inch	1-1/4"		
Water circuit	Piping		inch	1"		
	Safety valve		bar	3		
	Manometer			Digital		
	Drain valve / fill valve			No		
	Shut off valve			Yes		
	flowswitch			Yes		
	Air purge valve			Yes		
	Total water volume	l		2.5 (3)		
	Minimum water volume in the system for cooling	l		20 (4)		
	Minimum water volume in the system for heating	l		0 (4)		
	Water circuit - Domestic hot water side	Piping material			Stainless steel	
		Piping connections	Cold water in / Hot water out	inch	G 3/4" FEMALE	
Recirculation connection			inch	G 3/4" FEMALE		
Sound power level	Nom.	dB(A)	44.0 (5)			
Sound pressure level	Nom.	dB(A)	30.0 (6)			
Operation range	Heating	Ambient	Min.	°C	0 (7)	
			Max.	°C	0 (7)	
		Water side	Min.	°C	0 (7)	
			Max.	°C	0 (7)	
	Indoor installation	Ambient	Min.	°CDB	5	
			Max.	°CDB	35 (8)	
	Cooling	Ambient	Min.	°CDB	0 (7)	
			Max.	°CDB	0 (7)	
		Water side	Min.	°C	0 (7)	
			Max.	°C	0 (7)	
	Domestic hot water side	Min.	°C	0 (7)		
		Max.	°C	0 (7)		
Safety devices	Item	01	Thermal cut out			

Electrical specifications				ETVH12S18E9W	ETVH12S23E9W	
Power supply	Name			See note 10		
	Voltage range	Min.	%	10		
		Max.	%	10		
IP class	IP			IP X0B		
Electric heater	Power supply	Name		9W		
		Phase		3~		
		Frequency	Hz	50		
	Voltage		V	400		
	Current	Maximum running current		A	13.0	
		Recommended fuses		A	20 (9)	

2 Specifications

Electrical specifications			ETVH12S18E9W	ETVH12S23E9W
Wiring connections	Communication cable	Quantity		3+GRD
		Remark		1.5 mm ²
	Electric meter	Quantity		2
		Remark		Minimum 0.75 mm ² (5VDC pulse detection)
	Preferential kWh rate power supply	Quantity		Power: 2
		Remark		Power 6.3A (Select diameter and type according to national and local regulations)
	Domestic hot water pump	Quantity		2
		Remark		Minimum 0.75 mm ² (2A inrush, 1A continuous)
	For power supply back-up heater	Quantity		Prewired
	For connection with R6T	Quantity		2
		Remark		Minimum 0.75 mm ²
	For connection with A3P	Quantity		Depends on thermostat type, cf. installation manual
		Remark		Voltage: 230V / Max. current: 100mA / Min. 0.75mm ²
	For connection with M2S	Quantity		2
	Remark		Voltage: 230V / Max. current: 100mA / Min. 0.75mm ²	
For connection with optional	Quantity		4	
	Remark		100 mA, minimum 0.75 mm ²	

(1) Operation area is extended to lower flow rates only in case the unit operates with heat pump only. (Not in startup, no BUH operation, no defrost operation). |

(2) Based on a dT of 45 K |

(3) Including piping + back-up heater; excluding expansion vessel |

(4) Excluding the water in the unit. This minimum water volume is sufficient for most applications. During critical processes extra water may be required. |

(5) Measured with a pressure drop of 10 kPa in the heating system at an operating condition of leaving water 47-55°C in a room with an ambient of 20°C. DB/WB 7°C/6° |

(6) Value measured in an anechoic room at 1m distance from the unit. It is a relative value, depending on the distance and acoustic environment. The sound pressure level mentioned is measured with a pressure drop of 10 kPa in the heating system at an operation |

(7) Refer to operation range of the unit. |

(8) Depends on operation mode, refer to installation manual. |

(9) 4 pole 20 A curve 400V tripping class C (refer to wiring diagram) |

(10) Above mentioned power supply of the hydrobox is for the backup heater only. The switch box and the pump of the hydrobox are supplied via the outdoor unit. The optional domestic hot water tank has a separate power supply.

Technical specifications				ETVX12S18E6V	ETVX12S23E6V	
Heater capacity	Step 1	kW		2		
	Step 2	kW		2 or 4		
Power input	Nom.	kW		0.10		
	Material			Precoated sheet metal		
Dimensions	Unit	Height	mm	1,650	1,850	
		Width	mm		595	
		Depth	mm		625	
	Packed unit	Height	mm	1,820		2,020
		Width	mm		720	
		Depth	mm		740	
Weight	Unit	kg	108		117	
	Packed unit	kg	127		136	
Packing	Material			Wood / Carton / PE wrapping foil / Metal		
	Weight	kg		16		
Pump	Nr of speeds			PWM		
	Power input	W		75		
	Type			Grundfos UPM3LK 15-75 130 PWM		
Water side Heat exchanger	Water flow rate	Min.	l/min	20.0 (1)		
Expansion vessel	Volume		l	10		
	Max. water pressure		bar	3		
	Pre pressure		bar	1		
Tank	Name			Stainless steel domestic hot water tank 180 l	Stainless steel domestic hot water tank 230 L	
	Water volume		l	180	230	
	Material			Stainless steel (EN 1.4521)		
	Maximum water temperature		°C	70.0		
	Maximum water pressure		bar	10		
	Insulation	Material			Polyurethane foam	
		Heat loss		kWh/24h	1.2 (2)	1.4 (2)
	Corrosion protection				Pickling	
	Energy efficiency class				B	

2 Specifications

2

Technical specifications				ETVX12S18E6V	ETVX12S23E6V	
General	Supplier/	Name or trademark		Daikin Europe N.V.		
	Manu- facturer details	Name and address		Daikin Europe N.V. - Zandvoordestraat 300, 8400 Oostende, Belgium		
3-way valve	Coeffi- cient of flow (kV)	Space heating	m ³ /h	8		
		Domestic hot water tank	m ³ /h	10		
Water circuit	Piping connections diameter		inch	G 1" (female)		
	Piping material			Cu		
	Internal piping diameter		inch	1-1/4"		
Water circuit	Piping		inch	1"		
	Safety valve		bar	3		
	Manometer			Digital		
	Drain valve / fill valve			No		
	Shut off valve			Yes		
	flowswitch			Yes		
	Air purge valve			Yes		
	Total water volume		l	2.5 (3)		
	Minimum water volume in the system for cooling		l	20 (4)		
	Minimum water volume in the system for heating		l	0 (4)		
	Water circuit - Do- mestic hot water side	Piping material			Stainless steel	
Piping connec- tions		Cold water in / Hot water out	inch	G 3/4" FEMALE		
		Recirculation connection	inch	G 3/4" FEMALE		
Sound power level	Nom.		dB(A)	44.0 (5)		
Sound pressure level	Nom.		dB(A)	30.0 (6)		
Operation range	Heating	Ambient	Min.	°C	0 (7)	
			Max.	°C	0 (7)	
		Water side	Min.	°C	0 (7)	
			Max.	°C	0 (7)	
	Indoor installa- tion	Ambient	Min.	°CDB	5	
			Max.	°CDB	35 (8)	
		Cooling	Min.	°CDB	0 (7)	
			Max.	°CDB	0 (7)	
	Domestic hot water side	Water	Min.	°C	0 (7)	
			Max.	°C	0 (7)	
		Water	Min.	°C	0 (7)	
Max.			°C	0 (7)		
Safety devices	Item	01		Thermal cut out		
	Electrical specifications				ETVX12S18E6V	ETVX12S23E6V
Power supply	Name			See note 10		
	Voltage range	Min.	%	10		
		Max.	%	10		
IP class	IP			IP X0B		
Electric heater	Power supply	Name			6V3	
		Phase			1~ / 3~	
		Frequency	Hz	50		
		Voltage	V	230		
	Current	Maximum running current		A	26.0	
		Zmax	List	Ω	0.22	
		Minimum Ssc value				Equipment complying with EN/IEC 61000-3-12
	Recommended fuses		A		20 (9)	

2 Specifications

Electrical specifications			ETVX12S18E6V	ETVX12S23E6V
Wiring connections	Communication cable	Quantity	3+GRD	
		Remark	1.5 mm ²	
Electric meter		Quantity	2	
		Remark	Minimum 0.75 mm ² (5VDC pulse detection)	
Preferential kWh rate power supply		Quantity	Power: 2	
		Remark	Power 6.3A (Select diameter and type according to national and local regulations)	
Domestic hot water pump		Quantity	2	
		Remark	Minimum 0.75 mm ² (2A inrush, 1A continuous)	
For power supply back-up heater		Quantity	Prewired	
		Remark		
For connection with R6T		Quantity	2	
		Remark	Minimum 0.75 mm ²	
For connection with A3P		Quantity	Depends on thermostat type, cf. installation manual	
		Remark	Voltage: 230V / Max. current: 100mA / Min. 0.75mm ²	
For connection with M2S		Quantity	2	
		Remark	Voltage: 230V / Max. current: 100mA / Min. 0.75mm ²	
For connection with optional		Quantity	4	
		Remark	100 mA, minimum 0.75 mm ²	

(1) Operation area is extended to lower flow rates only in case the unit operates with heat pump only. (Not in startup, no BUH operation, no defrost operation). |

(2) Based on a dT of 45 K |

(3) Including piping + back-up heater; excluding expansion vessel |

(4) Excluding the water in the unit. This minimum water volume is sufficient for most applications. During critical processes extra water may be required. |

(5) Measured with a pressure drop of 10 kPa in the heating system at an operating condition of leaving water 47-55°C in a room with an ambient of 20°C. DB/WB 7°C/6° |

(6) Value measured in an anechoic room at 1m distance from the unit. It is a relative value, depending on the distance and acoustic environment. The sound pressure level mentioned is measured with a pressure drop of 10 kPa in the heating system at an operation |

(7) Refer to operation range of the unit. |

(8) Depends on operation mode, refer to installation manual. |

(9) 4 pole 20 A curve 400V tripping class C (refer to wiring diagram) |

(10) Above mentioned power supply of the hydrobox is for the backup heater only. The switch box and the pump of the hydrobox are supplied via the outdoor unit. The optional domestic hot water tank has a separate power supply.

Technical specifications				ETVX12S18E9W	ETVX12S23E9W	
Heater capacity	Step 1	kW	3			
	Step 2	kW	max. 6 kW			
Power input	Nom.	kW	0.10			
Casing	Material		Precoated sheet metal			
Dimensions	Unit	Height	mm	1,650	1,850	
		Width	mm	595		
		Depth	mm	625		
	Packed unit	Height	mm	1,820	2,020	
		Width	mm	720		
		Depth	mm	740		
Weight	Unit	kg	108	117		
	Packed unit	kg	127	136		
Packing	Material		Wood / Carton / PE wrapping foil / Metal			
	Weight	kg	16			
Pump	Nr of speeds		PWM			
	Power input	W	75			
	Type		Grundfos UPM3LK 15-75 130 PWM			
Water side Heat exchanger	Water flow rate	Min.	l/min	20.0 (1)		
Expansion vessel	Volume	l	10			
	Max. water pressure	bar	3			
	Pre pressure	bar	1			
Tank	Name		Stainless steel domestic hot water tank 180 l	Stainless steel domestic hot water tank 230 L		
	Water volume	l	180	230		
	Material		Stainless steel (EN 1.4521)			
	Maximum water temperature	°C	70.0			
	Maximum water pressure	bar	10			
	Insulation	Material		Polyurethane foam		
		Heat loss	kWh/24h	1.2 (2)	1.4 (2)	
	Corrosion protection		Pickling			
	Energy efficiency class		B			

2 Specifications

2

Technical specifications				ETVX12S18E9W	ETVX12S23E9W
General	Supplier/	Name or trademark		Daikin Europe N.V.	
	Manu- facturer details	Name and address		Daikin Europe N.V. - Zandvoordestraat 300, 8400 Oostende, Belgium	
3-way valve	Coeffi- cient of flow (kV)	Space heating	m ³ /h	8	
		Domestic hot water tank	m ³ /h	10	
Water circuit	Piping connections diameter		inch	G 1" (female)	
	Piping material			Cu	
	Internal piping diameter		inch	1-1/4"	
Water circuit	Piping		inch	1"	
	Safety valve		bar	3	
	Manometer			Digital	
	Drain valve / fill valve			No	
	Shut off valve			Yes	
	flowswitch			Yes	
	Air purge valve			Yes	
	Total water volume		l	2.5 (3)	
	Minimum water volume in the system for cooling		l	20 (4)	
	Minimum water volume in the system for heating		l	0 (4)	
	Water circuit - Do- mestic hot water side	Piping material			Stainless steel
Piping connec- tions		Cold water in / Hot water out	inch	G 3/4" FEMALE	
		Recirculation connection	inch	G 3/4" FEMALE	
Sound power level	Nom.		dB(A)	44.0 (5)	
Sound pressure level	Nom.		dB(A)	30.0 (6)	
Operation range	Heating	Ambient	Min.	°C	0 (7)
			Max.	°C	0 (7)
		Water side	Min.	°C	0 (7)
			Max.	°C	0 (7)
	Indoor installa- tion	Ambient	Min.	°CDB	5
			Max.	°CDB	35 (8)
		Cooling	Min.	°CDB	0 (7)
			Max.	°CDB	0 (7)
	Domestic hot water side	Water	Min.	°C	0 (7)
			Max.	°C	0 (7)
		Water	Min.	°C	0 (7)
Max.			°C	0 (7)	
Safety devices	Item	01		Thermal cut out	
Electrical specifications				ETVX12S18E9W	ETVX12S23E9W
Power supply	Name			See note 10	
	Voltage range	Min.	%	10	
		Max.	%	10	
IP class	IP			IP X0B	
Electric heater	Power supply	Name			9W
		Phase			3~
		Frequency	Hz	50	
	Current	Voltage	V	400	
		Maximum running current	A	13.0	
		Recommended fuses	A	20 (9)	

2 Specifications

Electrical specifications			ETVX12S18E9W	ETVX12S23E9W
Wiring connections	Communication cable	Quantity		3+GRD
		Remark		1.5 mm ²
	Electric meter	Quantity		2
		Remark		Minimum 0.75 mm ² (5VDC pulse detection)
	Preferential kWh rate power supply	Quantity		Power: 2
		Remark		Power 6.3A (Select diameter and type according to national and local regulations)
	Domestic hot water pump	Quantity		2
		Remark		Minimum 0.75 mm ² (2A inrush, 1A continuous)
	For power supply back-up heater	Quantity		Prewired
	For connection with R6T	Quantity		2
		Remark		Minimum 0.75 mm ²
	For connection with A3P	Quantity		Depends on thermostat type, cf. installation manual
		Remark		Voltage: 230V / Max. current: 100mA / Min. 0.75mm ²
	For connection with M2S	Quantity		2
Remark			Voltage: 230V / Max. current: 100mA / Min. 0.75mm ²	
For connection with optional	Quantity		4	
	Remark		100 mA, minimum 0.75 mm ²	

(1) Operation area is extended to lower flow rates only in case the unit operates with heat pump only. (Not in startup, no BUH operation, no defrost operation). |

(2) Based on a dT of 45 K |

(3) Including piping + back-up heater; excluding expansion vessel |

(4) Excluding the water in the unit. This minimum water volume is sufficient for most applications. During critical processes extra water may be required. |

(5) Measured with a pressure drop of 10 kPa in the heating system at an operating condition of leaving water 47-55°C in a room with an ambient of 20°C. DB/WB 7°C/6° |

(6) Value measured in an anechoic room at 1m distance from the unit. It is a relative value, depending on the distance and acoustic environment. The sound pressure level mentioned is measured with a pressure drop of 10 kPa in the heating system at an operation |

(7) Refer to operation range of the unit. |

(8) Depends on operation mode, refer to installation manual. |

(9) 4 pole 20 A curve 400V tripping class C (refer to wiring diagram) |

(10) Above mentioned power supply of the hydrobox is for the backup heater only. The switch box and the pump of the hydrobox are supplied via the outdoor unit. The optional domestic hot water tank has a separate power supply.

3 Electrical data

3 - 1 Electrical Data

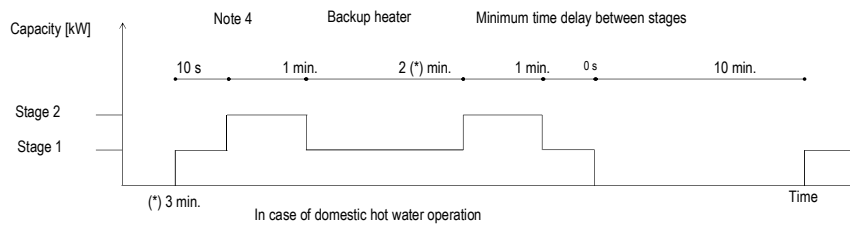
3

ETVH12E6V / ETVH16E6V / ETVH12UE6V / ETVH16UE6V / ETVH12E9W / ETVH16E9W
 ETVX12E6V / ETVX16E6V / ETVX12E9W / ETVX16E9W
 ETVZ12E6V / ETVZ16E6V / ETVZ12E9W / ETVZ16E9W

Electrical specifications

Type	6V						9W									
	2 - 4		2 - 6		4 - 6		2-4 (in case of emergency: 2-6)		6		3 - 6		3 - 9		3 - 6 (in case of emergency: 3-9)	
Capacity setting	[kW]															
Capacity stage	2	2	2	2	2	2	2	2	1	2	2	2	2	2	2	2
Capacity stage 1	2	2	2	2	2	2	2	2	6	3	3	3	3	3	3	3
Capacity stage 2	4	6	4	4	4	4	4	6	-	6	9	6	9	6	9	9
Backup heater	Minimum time delay between stages															
	Note 4															
	Power supply (1)															
	Phase															
	Frequency															
	Voltage															
Nominal running current																
Zmax (backup heater)(2)																
Minimum Ssc value																

Notes	Details
(1)	The above-mentioned power supply of the hydrobox is for the backup heater only.
(2)	Booster heater power supply In accordance with EN/IEC 61000-3-11, it may be necessary to consult the distribution network operator to ensure that the equipment is connected only to a supply with Zsys ≤ Zmax.
(3)	The equipment complies with EN/IEC 61000-3-12.
EN/IEC 61000-3-11	European/International Technical Standard setting the limits for voltage changes, voltage fluctuations and flicker in public low-voltage supply systems for equipment with rated current ≤ 75 A.
EN/IEC 61000-3-12	European/International Technical Standard setting the limits for harmonic currents produced by equipment connected to public low-voltage systems with input current > 16 A and ≤ 75 A per phase.
Zsys	System impedance



4D121000A

3 Electrical data

3 - 1 Electrical Data

ETBH12E6V / ETBH12E9W / ETBX12E6V / ETBX12E9W
 ETVH12E6V / ETVH12UE6V / ETVH12E9W / ETVX12E6V
 ETVX12E9W / ETVZ12E6V / ETVZ12E9W

* Electrical meter specification

- Pulse meter type/voltage-free contact for 5 V DC detection by PCB.
- Possible number of pulses
 - 0.1· pulse/kWh
 - 1· pulse/kWh
 - 10· pulse/kWh
 - 100· pulse/kWh
 - 1000· pulse/kWh
- Pulse duration
 - minimum On time: ·40ms·
 - Minimum OFF time: ·100ms·
- Measurement type (depending on installation)
 - Single-phase AC meter
 - Three-phase AC meter
 - Balanced loads
 - Unbalanced loads

* Electrical meter installation guideline

- It is the responsibility of the installer to cover the complete power consumption with electrical meters (combination of estimation and metering is not allowed).
- Required number of electrical meters

Outdoor unit type		EPRA(08/10/12)EA*					
Indoor unit type		ETB(H/X)12EF*			ETV(H/X/Z)12S(U)*EA*		
	Backup heater type	6V		9W	6V		9W
	Backup heater power supply	1~ 230V	3~ 230V	3~ 400V	1~ 230V	3~ 230V	3~ 400V
	Backup heater configuration	2 / 4 / 6 kW	6 kW	3 / 6 / 9 kW	2 / 4 / 6 kW	6 kW	3 / 6 / 9 kW
Normal kWh rate power supply							
Electrical meter type	1~	1	-	-	1	-	-
	3~ balanced	-	-	-	-	-	-
	3~ unbalanced	-	1	1	-	1	1
Preferential kWh rate power supply							
Electrical meter type	1~	2	1	1	2	1	1
	3~ balanced	-	-	-	-	-	-
	3~ unbalanced	-	1	1	-	1	1

4D133788

4 Combination table

4 - 1 Combination Table

4

ETVH12E6V / ETVH16E6V / ETVH12UE6V / ETVH16UE6V / ETVH12E9W / ETVH16E9W
 ETVX12E6V / ETVX16E6V / ETVX12E9W / ETVX16E9W
 ETVZ12E6V / ETVZ16E6V / ETVZ12E9W / ETVZ16E9W

Factory-mounted equipment for -ETV(H/X/Z)12S*EA*

Description	ETV(H/X/Z)12S*EA*			
	18 - 6V (8)	18 - 9W (8)	23 - 6V (8)	23 - 9W (8)
Heating only model -ETVH-	o	o	o	o
Reversible model -ETVX-	o	o	o	o
(Integrated Bizone)	o	o	o	o
Backup heater 2-4-6kW 1N~230 V-	o	o	o	o
Backup heater 2-4-6kW 3~230 V-	o	o	o	o
Backup heater 3-6-9kW 3N~400 V-	o	o	o	o
Domestic hot water tank 180L	o	o	o	o
Domestic hot water tank 230L	o	o	o	o

Outdoor combination table for -ETV(H/X/Z)12S(18/23)EA-

		EPRAD08EA(V3/W1)	EPRA10EA(V3/W1)	EPRA12EA(V3/W1)
ETVH12S(18/23)EA*	Heating only indoor unit	o	o	o
ETVX12S(18/23)EA*	Reversible indoor unit	o	o	o
ETVZ12S(18/23)EA*	(Integrated Bizone)	o	o	o
ETVH12SU(18/23)EA*	Heating only indoor unit for the UK	o	o	o

Kit availability for indoor units

Reference	Description	ETV*12S*EA*					
		18 - 6V	18 - 9W	23 - 6V	23 - 9W	18 - 6V	23 - 6V
ETVH*	Heating only indoor unit	o	o	o	o		
ETVX*	Reversible indoor unit	o	o	o	o		
ETVZ*	(Integrated Bizone)	o	o	o	o		
ETVH12SU*	Heating only indoor unit for the UK	o	o	o	o		
EKRP1HBAA	Digital I/O PCB	*(1) (2)	o	o	o	o	o
EKRP1AHTA	Demand PCB	*(3)	o	o	o	o	o
BRCHHDA*	HCI (Human Comfort Interface)	o	o	o	o	o	o
EKPCAB4	PC cable	*(4)	o	o	o	o	o
KRCS01-1	Remote indoor sensor	*(5)	o	o	o	o	o
EKRSCA1	Remote sensor for outdoor	*(5)	o	o	o	o	o
EKCC8-W	Universal centralised user interface	o	o	o	o	o	o
DCOM-LT/JO	DCOM gateway	o	o	o	o	o	o
DCOM-LT/MB	DCOM gateway	o	o	o	o	o	o
EKCC8-W	Cascade control	o	o	o	o	o	o
EKHVCNV4	Conversion kit: heating only to reversible.	o	o	o	o	o	o
FWXV10-15-20ATV3	Heat pump convactor	*(6)	o	o	o	o	o
FWXT10-15-20ATV3	Heat pump convactor	*(6)	o	o	o	o	o
FWXM10-15-20ATV3	Heat pump convactor	*(6)	o	o	o	o	o
EKVHPC	Heat pump convactor valve kit	o	o	o	o	o	o
EKRTR1A	Wired room thermostat	o	o	o	o	o	o
EKRTR1	Wireless room thermostat	o	o	o	o	o	o
EKRTE5	External sensor room thermostat	*(7)	o	o	o	o	o
EKWUFHTA1V3	Multi-zoning base unit 230 V	*(9)	o	o	o	o	o
EKWCTRD1V3	Digital thermostat 230 V	*(9)	o	o	o	o	o
EKWCTRAN1V3	Analogue thermostat 230 V	*(9)	o	o	o	o	o
EKWCVATR1V3	Actuator 230 V	*(9)	o	o	o	o	o
EKRELSG	Relay for Smart Grid	o	o	o	o	o	o
BRP066A71	WLAN module	*(10)	o	o	o	o	o
EKHJWG3D	45A kit	*(11)	o	o	o	o	o
AFVALVE1	Freeze protection valve	o	o	o	o	o	o
ESAE04A01*	Daikin Residential Controller	o	o	o	o	o	o

Kit availability for outdoor units

Reference	Description	EPRAD08EA(V3/W1)	EPRA10EA(V3/W1)	EPRA12EA(V3/W1)
EKMST1	Mounting stand	o	o	o
EKMST2	Mounting stand	o	o	o

Reference	Description		
		ETVH*	ETVX*
	Only applicable for -ETVH* & ETVX*- models		
EKMIKPOA	Mixing kit - PCB only	o	o
EKMIKPHA	Mixing kit - PCB with hydraulics	o	o
EKMIKHMA	Hydraulics - mixed pump group	*(12)	o
EKMIKHUA	Hydraulics - unmixed pump group	*(12)	o
EKMIKBVA	Balancing vessel	o	o
EKMIKDIA	Distributor for balancing vessel	*(13)	o

Notes

- (1) PCB that provides additional output connections:
 - (a) Control external heat source (bivalent operation).
 - (b) Output remote ON/OFF signal space heating/cooling
 - (c) Remote alarm output
- (2) Additional relays to allow bivalent control in combination with an external room thermostat are field-supplied.
- (3) PCB to receive up to 4- digital inputs for power limitation
- (4) Data cable for connection with PC.
- (5) Only 1 remote sensor can be connected: indoor OR outdoor sensor.
- (6) The valve kit is mandatory if a heat pump convactor is installed on a reversible model (not mandatory for heating only models).
- (7) -EKRTETS- can only be used in combination with -EKRTR1-
- (8) The backup heater capacity depends on a user interface setting.
- (9) Multi-zoning wired controls
- (10) The WLAN cartridge is supplied in the accessory bag of the unit and is meant to be plugged into the SD card slot on the MMI-2. In case of bad signal reception, the WLAN cartridge can be removed and replaced by the WLAN module.
- (11) This kit is mandatory for the UK models.
- (12) Only possible in combination with -EKMIKPOA-
- (13) Only possible in combination with -EKMIKBVA- and -EKMIKPHA- or -EKMIKHUA-
- (14) Only possible in combination with -HBKIT*-
- (15) Only possible in combination with -ETVZ*-

Remark

Other combinations than mentioned in this combination table are prohibited.

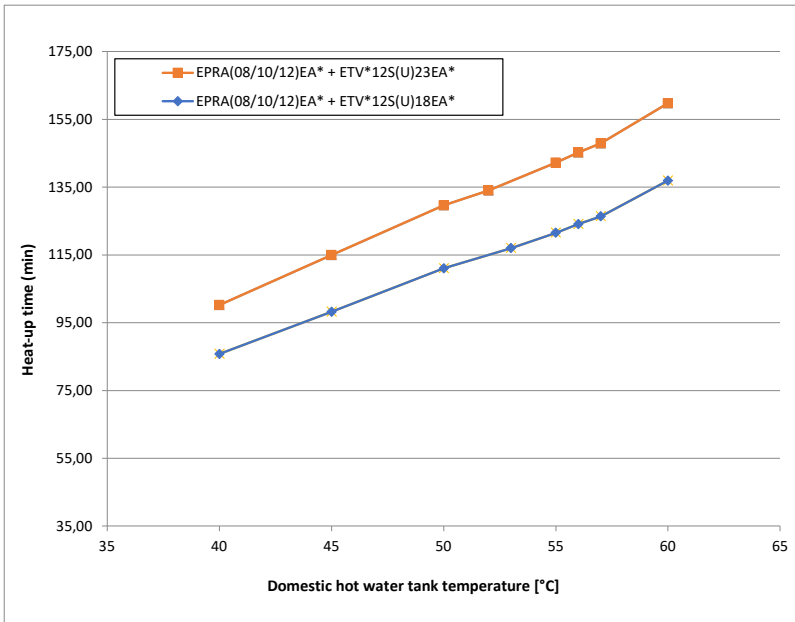
4D133479B

5 Capacity tables

5 - 1 Domestic Hot Water performance

ETBH12E6V / ETBH12E9W
 ETBX12E6V / ETBX12E9W
 ETVH12E6V / ETVH12UE6V
 ETVH12E9W / ETVX12E6V
 ETVX12E9W / ETVZ12E6V
 ETVZ12E9W

Heat-up times



Notes

- Time the indoor unit (**heat pump only operation**) requires to heat up the domestic hot water tank from 10°C to the indicated temperature.
 See the operation range for maximum domestic hot water tank temperature during heat pump only operation.

Model name	Heat-up time domestic hot water tank until 45°C
EPRA(08/10/12)EA* + ETV*12S(U)18EA*	~98 min.
EPRA(08/10/12)EA* + ETV*12S(U)23EA*	~115 min.

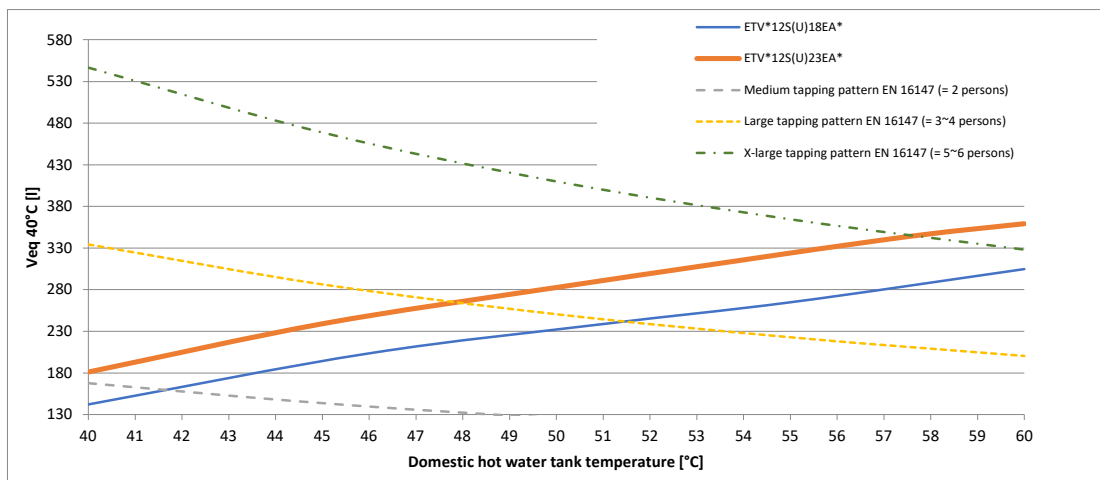
4D133480

ETBH12E6V / ETBH12E9W / ETBX12E6V / ETBX12E9W
 ETVH12E6V / ETVH12UE6V / ETVH12E9W / ETVX12E6V
 ETVX12E9W / ETVZ12E6V / ETVZ12E9W

Selection guide for the domestic hot water tank volume

(1)

Veq 40°C is the amount of water with a temperature of 40°C that can be tapped when the domestic hot water tank is heated to a certain temperature, and the temperature of the cold inlet water is 10°C.



If a higher daily Veq 40°C is required, then additional heat-up cycles are required within 24 hours.
 See the operation manual for more information.

Notes

- According to EN16147.

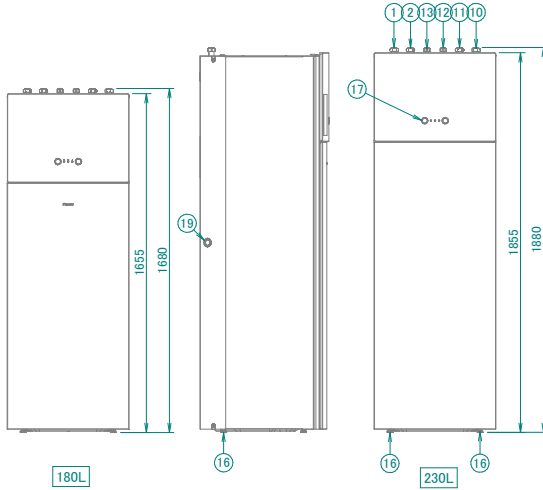
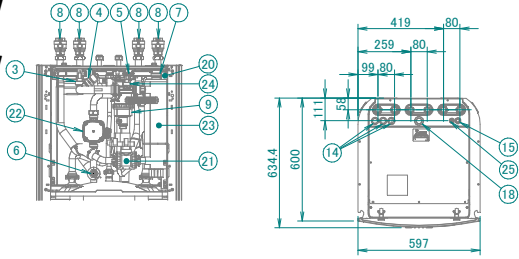
4D133480

6 Dimensional drawings

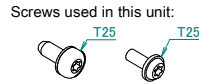
6 - 1 Dimensional Drawings

6

ETVH12E6V
ETVH12E9W
ETVX12E6V
ETVX12E9W



- ① Water out connection ·1"· To outdoor unit
- ② Water in connection ·1"·
- ③ Flow switch
- ④ Space heating water pressure sensor
- ⑤ Safety valve
- ⑥ Drain valve water circuit
- ⑦ Air purge
- ⑧ Shut-off valve
- ⑨ Magnetic filter / dirt separator
- ⑩ Water in connection ·1" F BSP·
- ⑪ Water out connection ·1" F BSP·
- ⑫ Domestic hot water: cold water in ·3/4" F BSP·
- ⑬ Domestic hot water: hot water out ·3/4" F BSP·
- ⑭ High voltage wiring intake ·Ø 24mm·
- ⑮ Low voltage wiring intake ·Ø 15mm·
- ⑯ Levelling feet
- ⑰ User interface
- ⑱ Recirculation connection ·G 3/4"· (female)
- ⑲ Drain outlet (unit + safety valve)
- ⑳ Expansion vessel
- ㉑ 3-way valve
- ㉒ Pump
- ㉓ Backup heater
- ㉔ Flow sensor
- ㉕ Low voltage wiring intake (options)

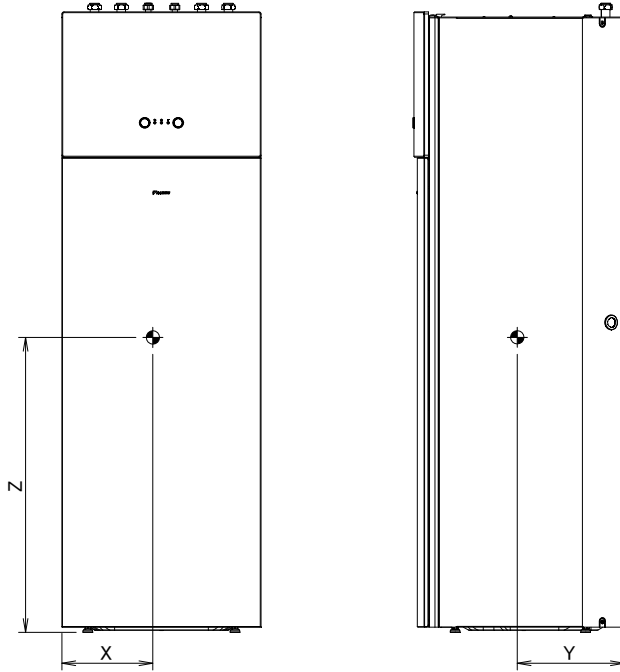


3D133388

7 Centre of gravity

7 - 1 Centre of Gravity

ETVH12E6V / ETVH16E6V / ETVH12UE6V / ETVH16UE6V / ETVH12E9W / ETVH16E9W
 ETVX12E6V / ETVX16E6V / ETVX12E9W / ETVX16E9W
 ETVZ12E6V / ETVZ16E6V / ETVZ12E9W / ETVZ16E9W



MODEL	X	Y	Z
EAV (H/X) 16S18*	327	329	890
EAV (H/X) 16S23*	327	329	1015
EAVZ16S18*	311	315	903
EAVZ16S23*	311	315	1028
ETV (H/X) 16S18*	327	329	890
ETV (H/X) 16S23*	327	329	1015
ETVZ16S18*	311	315	903
ETVZ16S23*	311	315	1028
ETV (H/X) 12S18*	327	329	890
ETV (H/X) 12S23*	327	329	1015
ETVZ12S18*	311	315	903
ETVZ12S23*	311	315	1028
ETVH12SU18*	327	329	890
ETVH12SU23*	327	329	1015
ETVH16SU18*	327	329	890
ETVH16SU23*	327	329	1015

3D121014D

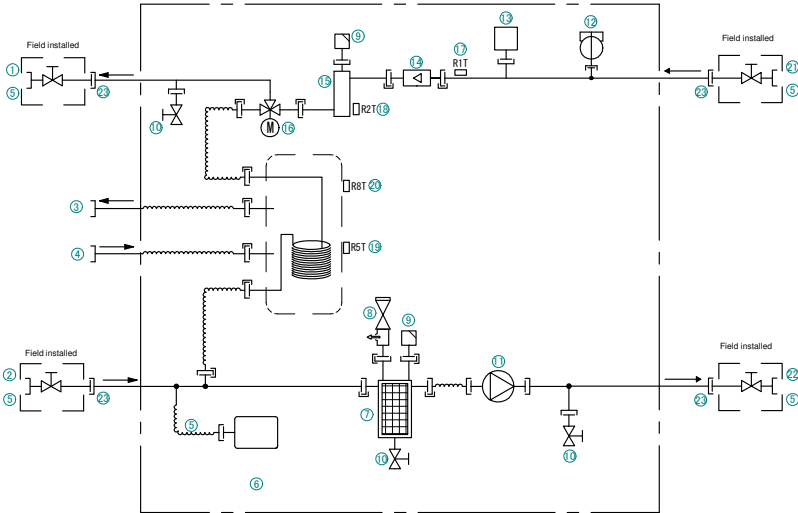
8 Piping diagrams

8 - 1 Piping Diagrams

8

ETVH12E6V / ETVH16E6V / ETVH12UE6V / ETVH16UE6V / ETVH12E9W / ETVH16E9W
 ETVX12E6V / ETVX16E6V / ETVX12E9W / ETVX16E9W

- ① Space heating - water OUT
- ② Space heating - water IN
- ③ Domestic hot water: hot water out -3/4"
- ④ Domestic hot water: cold water in -3/4"
- ⑤ Shut-off valve -1" (male-female)
- ⑥ Expansion vessel
- ⑦ Magnetic filter / dirt separator
- ⑧ Safety valve
- ⑨ Air purge
- ⑩ Drain valve
- ⑪ Pump
- ⑫ Flow switch
- ⑬ Space heating water pressure sensor
- ⑭ Flow sensor
- ⑮ Backup heater
- ⑯ 3-way valve (space heating/domestic hot water)
- ⑰ R1T - Inlet water thermistor
- ⑱ R2T - Outlet water backup heater thermistor
- ⑲ R5T - Tank thermistor
- ⑳ R8T - Tank thermistor
- Field piping connections
- ㉑ Water in connection -1"
- ㉒ Water out connection -1"
- ㉓ Screw connection -1"



Screw connection	Brazed connection
Quick coupling	Flare connection

3D120611B

9 Wiring diagrams

9 - 1 Notes & Legend

ETVH12E6V / ETVH12UE6V / ETVH12E9W / ETVX12E6V / ETVX12E9W

NOTES to go through before starting the unit

- X1M : Main terminal
 - X2M : Field wiring terminal for AC
 - X5M : Field wiring terminal for DC
 - X6M : BUH Power supply terminal
 - X10M : Smartgrid terminal
 - : Earth wiring
 - : Field supply
 - ① : Several wiring possibilities
- : Option

: Wiring depending on model

: Not mounted in switch box

: PCB

NOTES

- Connection point of the power supply for the BUH should be foreseen outside the unit.

- Backup heater power supply

 - 6T1 (3~, 230V, 6kW)
 - 6V3 (1N~, 230V, 6kW)
 - 6WN/9WN (3N~, 400V, 6/9kW)

User installed options:

 - Remote user interface
 - Ext. indoor thermistor
 - Ext. outdoor thermistor
 - Digital I/O PCB
 - Demand PCB
 - Safety thermostat
 - Smartgrid kit
 - WLAN adapter module
 - WLAN cartridge
 - Bizonex mixing kit

Main LWT:

 - ON/OFF thermostat (wired)
 - ON/OFF thermostat (wireless)
 - Ext. thermistor
 - Heat pump convactor

Add LWT:

 - ON/OFF thermostat (wired)
 - ON/OFF thermostat (wireless)
 - Ext. thermistor
 - Heat pump convactor

POSITION IN SWITCH BOX

LEGEND

Part n°	Description
A1P	main PCB
A2P	* ON/OFF thermostat (PC=power circuit)
A3P	* heat pump convactor
A4P	* digital I/O PCB
A8P	* demand PCB
A9P	status indicator
A11P	MMI main PCB
A14P	* user interface PCB
A15P	* receiver PCB (wireless ON/OFF thermostat)
A20P	* WLAN adapter module
A30P	* Bizonex mixing kit PCB
B2L	flow sensor
B1PW	water pressure sensor
CN* (A4P)	* connector
DS1 (A8P)	* dipswitch
E1H	backup heater element (1 kW)
E2H	backup heater element (2 kW)
E*P (A9P)	indication LED
F1B	# overcurrent fuse backup heater
F1T	thermal fuse backup heater
F1U, F2U (A4P)	* fuse 5 A 250 V for digital I/O PCB
FU1 (A1P)	fuse T 5 A 250 V for PCB
K1A, K2A	* high voltage smartgrid relay
K1M, K2M	* contactor backup heater
K5M	* safety contactor BUH
K*R (A*P)	relay on PCB
M1P	main supply pump
M2P	# domestic hot water pump
M2S	# 2 way valve for cooling mode
M3S	3 way valve for spaceheating/domestic hot water

Part n°	Description
P1M	MMI display
PC (A15P)	* power circuit
PHC1 (A4P)	* optocoupler input circuit
Q1L	thermal protector backup heater
Q4L	# safety thermostat
Q*DI	# earth leakage circuit breaker
R1H (A2P)	* humidity sensor
R1T (A1P)	outlet water heat exchanger thermistor
R1T (A2P)	* ambient sensor ON/OFF thermostat
R1T (A14P)	* ambient sensor user interface
R2T (A1P)	outlet backup heater thermistor
R2T (A2P)	* external sensor (floor or ambient)
R5T, R8T	domestic hot water thermistor
R6T	* external indoor or outdoor ambient thermistor
S1L	flow switch
S1S	# preferential kWh rate PS contact
S2S	# electrical meter pulse input 1
S3S	# electrical meter pulse input 2
S4S	* smart grid feed-in
S6S-S9S	* digital power limitation inputs
S10S-S11S	# low voltage smartgrid contact
SS1 (A4P)	* selector switch
SW1~2 (A12P)	turn buttons
SW3~5 (A12P)	push button
TR1	power supply transformer
X6M	# BUH power supply terminal strip
X10M	* smartgrid power supply terminal strip
X*, X*A, J*	connector
X*H*, X*Y	connector
X*M	terminal strip

*: optional #: field supply

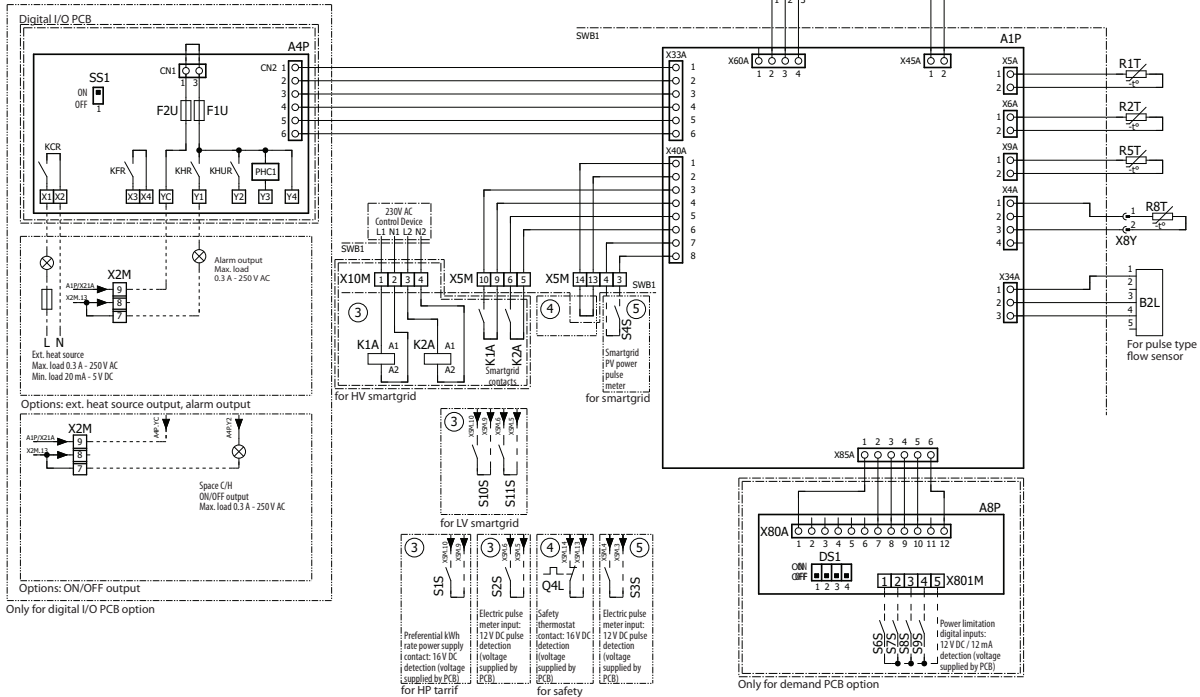
4D128376C

9 Wiring diagrams

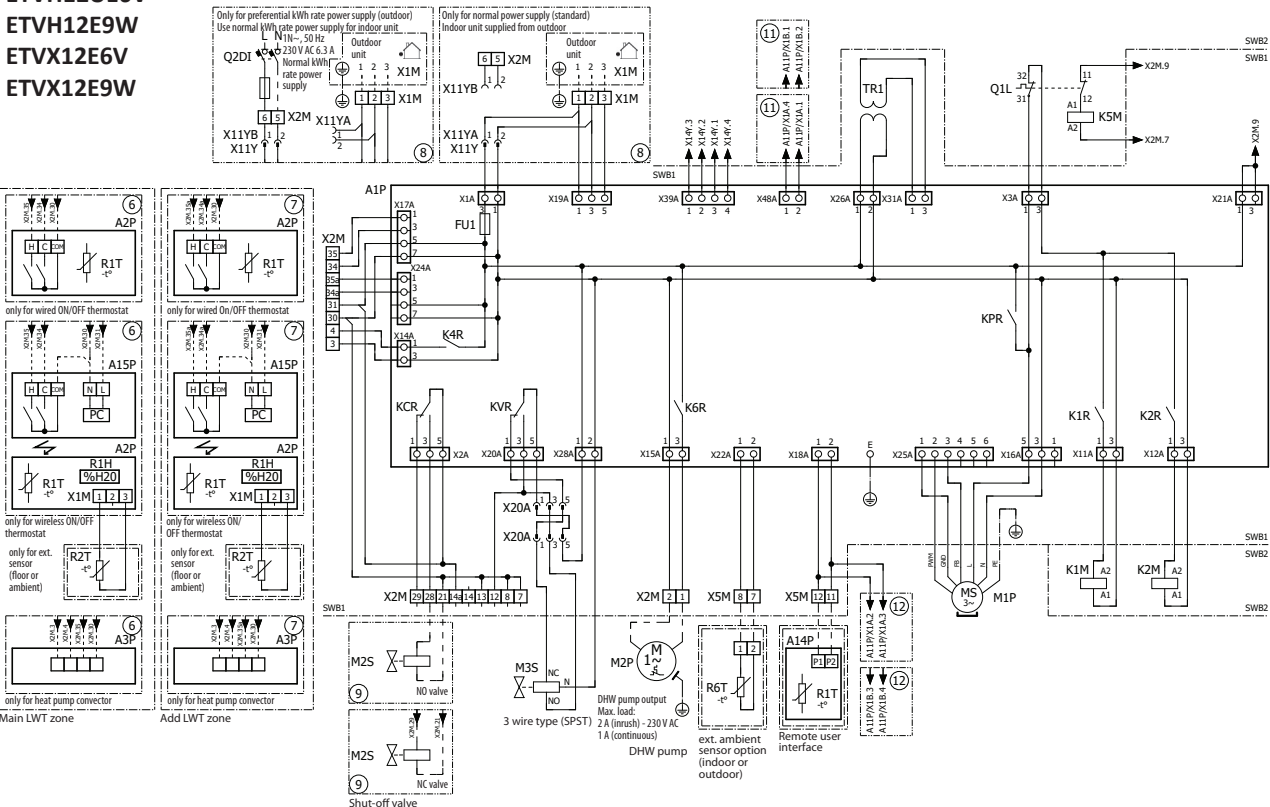
9 - 2 Control Circuit

9

ETVH12E6V
ETVH12UE6V
ETVH12E9W
ETVX12E6V
ETVX12E9W



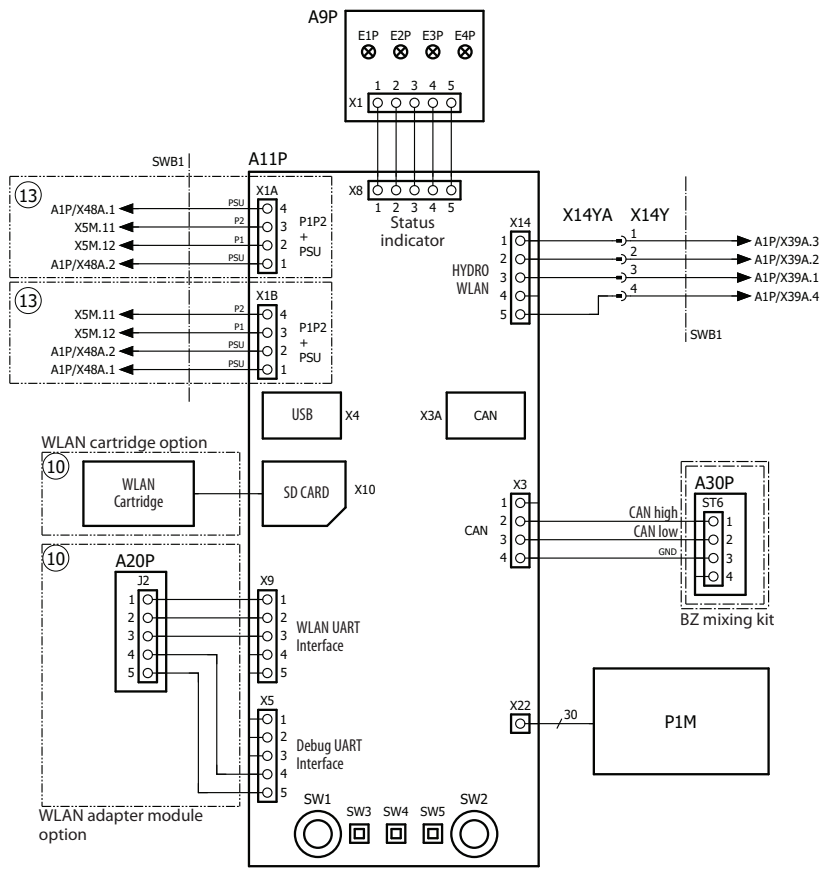
ETVH12E6V
ETVH12UE6V
ETVH12E9W
ETVX12E6V
ETVX12E9W



9 Wiring diagrams

9 - 2 Control Circuit

ETVH12E6V
 ETVH12UE6V
 ETVH12E9W
 ETVX12E6V
 ETVX12E9W



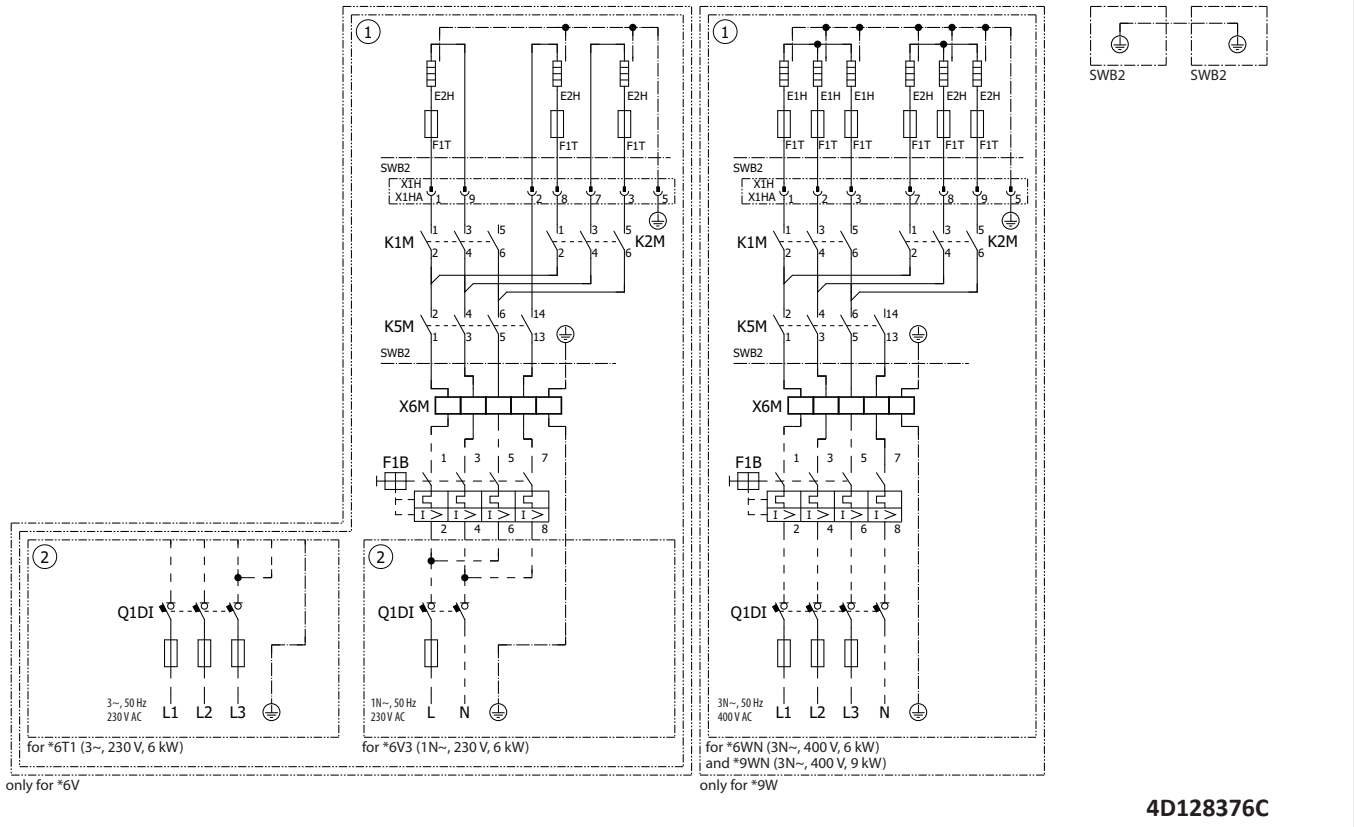
4D128376C

9 Wiring diagrams

9 - 3 Power Supply, Back-up Heater

ETVH12E6V / ETVH12UE6V / ETVH12E9W / ETVX12E6V / ETVX12E9W

9

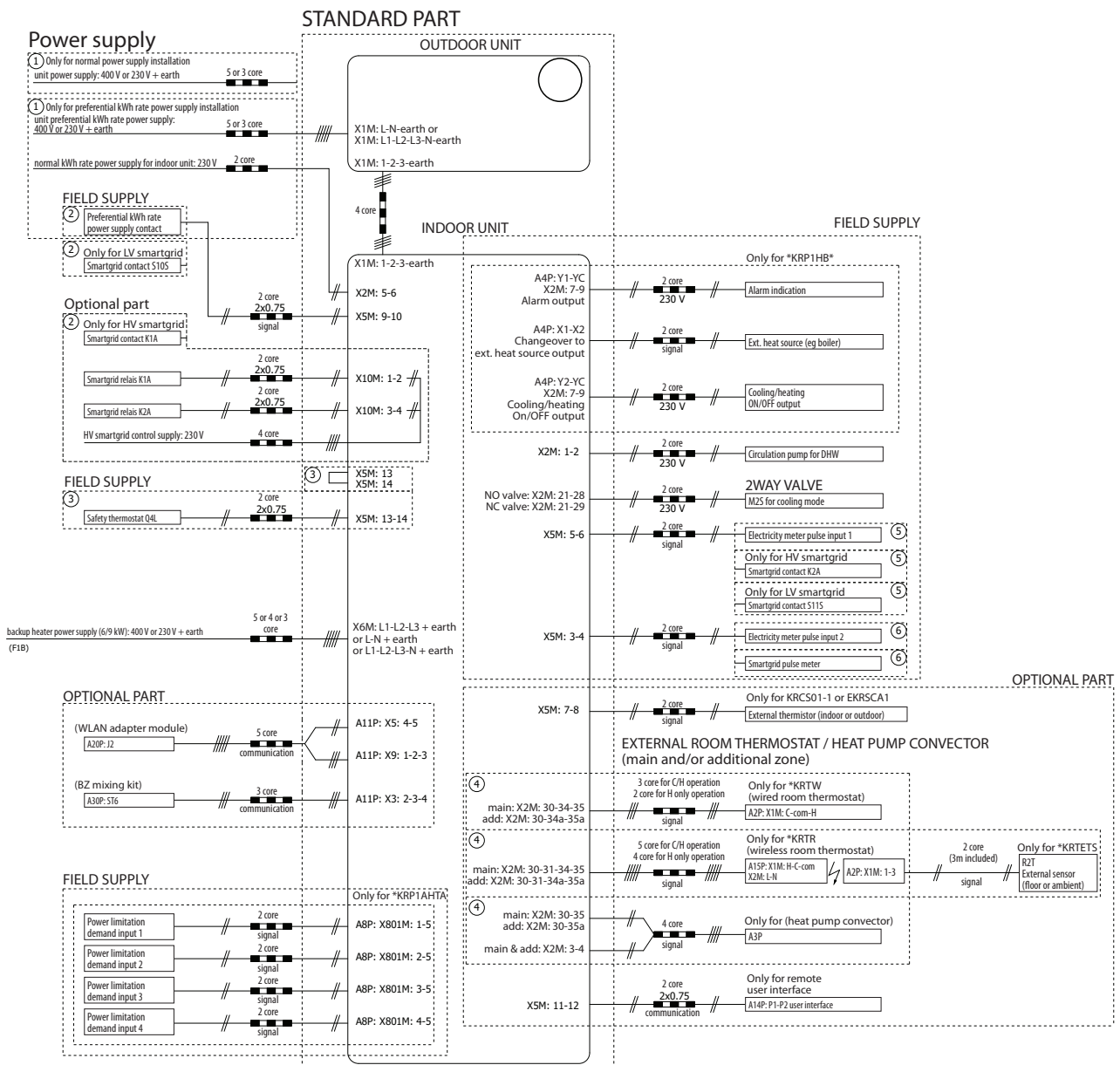


4D128376C

10 External connection diagrams

10 - 1 External Connection Diagrams

ETVH12E6V
 ETVH12UE6V
 ETVH12E9V
 ETVX12E6V
 ETVX12E9V



NOTE

- In case of signal cable: keep minimum distance to power cables > 5 cm

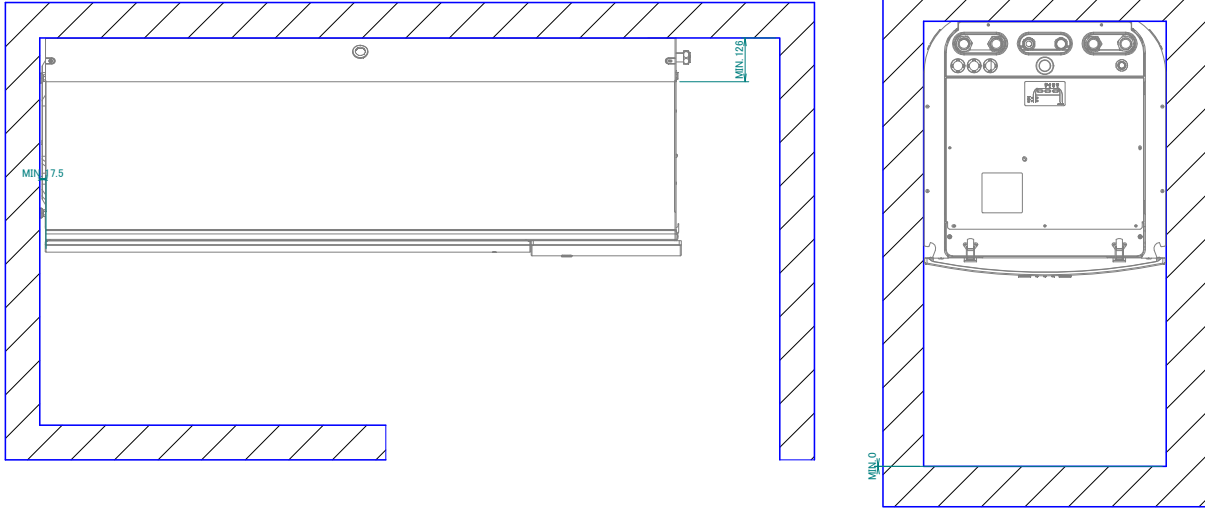
4D133016B

11 Installation

11 - 1 Installation Method

11

ETVH12E6V / ETVH16E6V
ETVH12E9W / ETVH16E9W
ETVX12E6V / ETVX16E6V
ETVX12E9W / ETVX16E9W

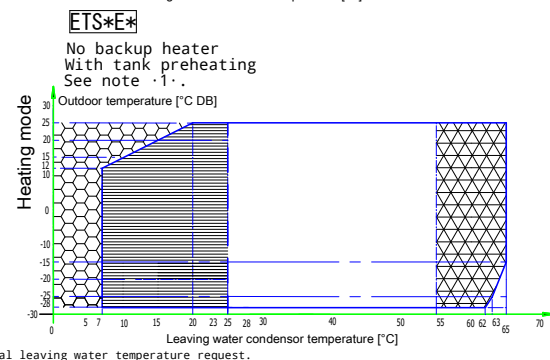
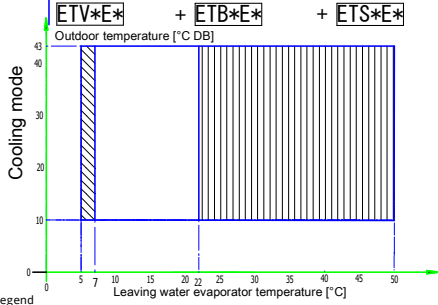
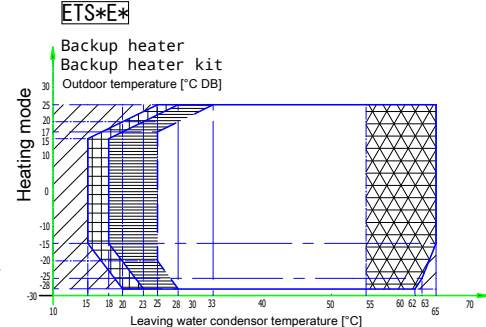
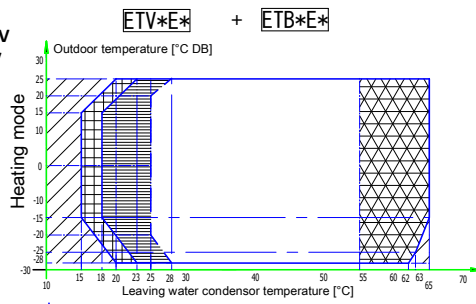


3D121004A

12 Operation range

12 - 1 Operation Range

ETBH12E6V / ETBH12E9W
 ETBX12E6V / ETBX12E9W
 ETVH12E6V / ETVH12UE6V
 ETVH12E9W / ETVX12E6V
 ETVX12E9W / ETVZ12E6V
 ETVZ12E9W



- Legend
- Backup heater only operation
 - No outdoor unit operation
 - Heat pump + backup heater operation
 - Pull-up area
 - Outdoor unit operation if controller setpoint is regulated to minimal leaving water temperature request. See dashed lines
 - Circulation pump operation only
 - Outdoor unit operation if setpoint > 55°C and ΔT = -10°C (ΔT = outlet temperature - inlet temperature)
 - Pull-down area
 - In case valve kit -AFVALVE1- is part of the system, then the minimum setpoint is -7°C.

- Notes
1. Tank preheating
For details, see the installer reference guide.
 2. If negative ambient temperatures are expected, both in operation or at standstill, take adequate countermeasures against freezing.
For more information, refer to the installation manual.
 3. In restricted power supply mode, the outdoor unit and backup heater can only operate separately.

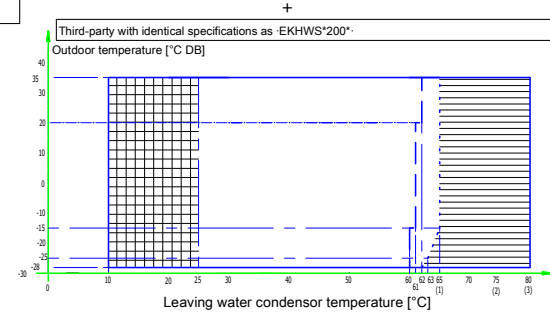
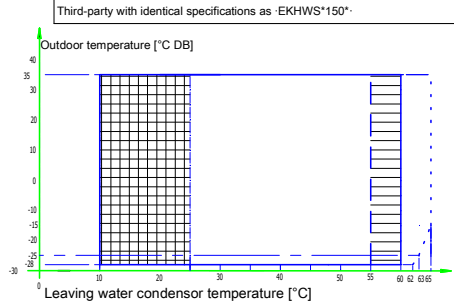
3D133531

ETBH12E6V / ETBH12E9W
 ETBX12E6V / ETBX12E9W
 ETVH12E6V / ETVH12UE6V
 ETVH12E9W / ETVX12E6V
 ETVX12E9W / ETVZ12E6V
 ETVZ12E9W

Domestic hot water heating mode

EKHWS*150*
 EKHWS*180*
 +

ETV* + EKHWP* + ETS* +
 EKHWS*200*
 EKHWS*250*
 EKHWS*300*



- Legend
- Setpoint [°C]
 - Domestic hot water
 - Leaving water temperature [°C]
 - Pull-up area
 - Booster heater only operation (if a booster heater is part of the system)
 (1) ETV*12*E* indoor units only
 (2) Combination of EKHWS* and ETB*12*E indoor units
 (3) Combination of EKHWP* and ETB*12*E indoor units

/ETS*12*E indoor units only

- Notes
1. In restricted power supply mode (EKHW* only), the outdoor unit, booster heater and backup heater can only operate separately.
 2. Third-party with identical specifications as EKHWS*150*
Coil surface > 1.05 m² and < 3.7 m²
Tank thermistor and booster heater above heat pump coil.
 3. If negative ambient temperatures are expected, both in operation or at standstill, take adequate countermeasures against freezing.
For more information, refer to the installation manual.
 4. Third-party with identical specifications as EKHWS*200*
Coil surface > 1.8 m² and < 3.7 m²
Tank thermistor and booster heater above heat pump coil.

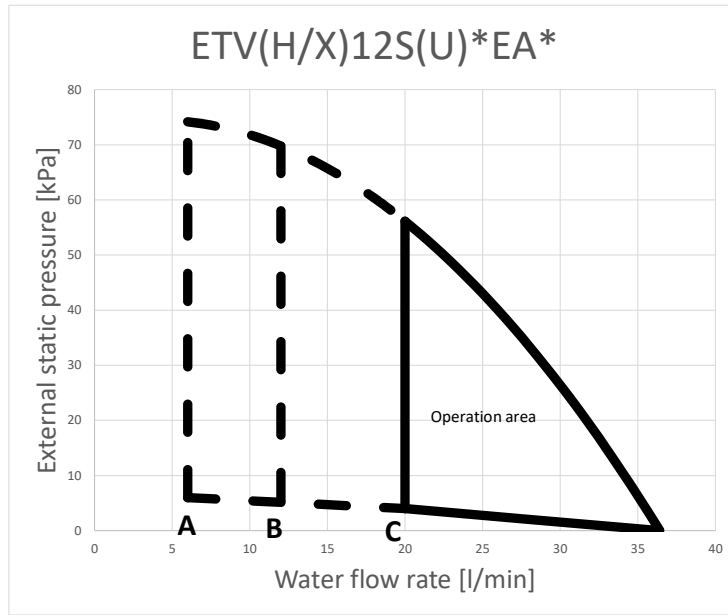
3D133532

13 Hydraulic performance

13 - 1 Static Pressure Drop Unit

13

ETVH12E6V
 ETVH12UE6V
 ETVH12E9W
 ETVX12E6V
 ETVX12E9W



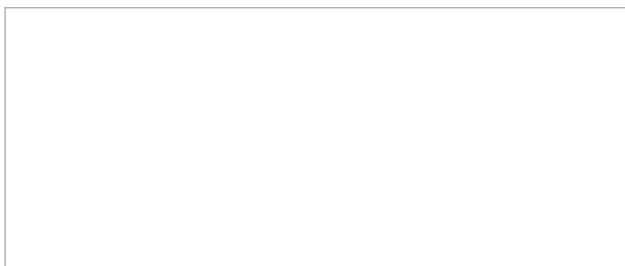
- A Minimum water flow rate during normal operation
- B Minimum water flow rate during backup heater operation
- C Minimum water flow rate during defrost operation

Operation area is extended to lower flow rates only in case the unit operates with heat pump only.
 See dashed lines

Notes

1. Selecting a flow outside the operating area can damage the unit or cause the unit to malfunction. See also the minimum and maximum allowed water flow range in the technical specifications.
2. Water quality must be according to EU directive 98/83 EC.

4D133482A



EEEDEN22



02/2022



The present publication is drawn up by way of information only and does not constitute an offer binding upon Daikin Europe N.V. / Daikin Central Europe HandelsGmbH. Daikin Europe N.V. / Daikin Central Europe HandelsGmbH have compiled the content of this publication to the best of their knowledge. No express or implied warranty is given for the completeness, accuracy, reliability or fitness for particular purpose of its content and the products and services presented therein. Specifications are subject to change without prior notice. Daikin Europe N.V. / Daikin Central Europe HandelsGmbH explicitly rejects any liability for any direct or indirect damage, in the broadest sense, arising from or related to the use and/or interpretation of this publication. All content is copyrighted by Daikin Europe N.V.